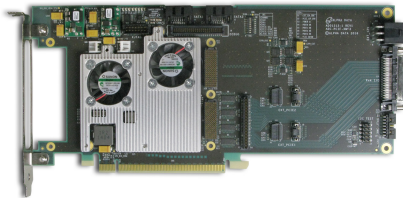


AD01313



Applications

- XMC adapter for PCI-Express workstations.
- Extended I/O access for XMC FPGA Boards

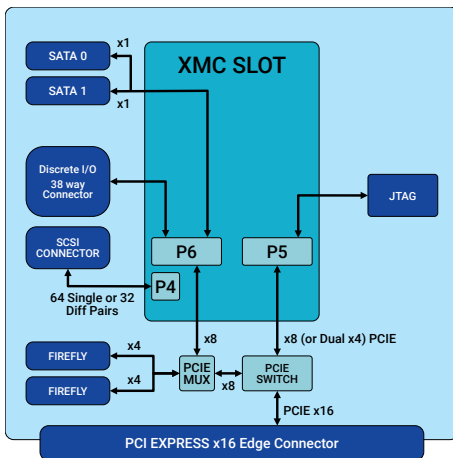
Board Features

- 2x Firefly Connectors
- 2x SATA Connectors
- Multiple Discrete I/O Connections
- On Board PCIe Switch allows multiple PCIe end points on the XMC FPGA board
- Two 30mm fans provide cooling of XMCs
- Separate PCIe Power connector

Summary

The ADC-PCIE-XMC3 is a three quarter length PCI Express card designed to carry a single XMC.

capable of supporting the use of x1, x2, x4, x8 and x16 PCIe lane widths in a x16 PCIe slot. The XMC site on the card supports up to 16 PCIe lanes, configured as multiple, independent channels (See user manual for details). VPWR provided to the XMC site is set to 12V.



Deliverables

ADC-PCIE-XMC3 Board
One Year Warranty
One Year Technical Support

Host Interface

The host interface supports PCIE Gen 1, 2 and 3. The XMC interfaces support Gen 1 and 2 as standard. Gen 3 support is available with XMC2 connectors and compatible XMC2 modules. Please contact Alpha Data for further details.

Board Format

Three-quarter length PCI Express Card
WxHxD = 241.3mm x 111.2mm x 14.47mm
Weight = 182g

Input/Output Interfaces

Discrete Digital

SATA Interfaces - SATA Connectors on top edge of carrier

Samtec Firefly Interfaces - Firefly Connector on rear of carrier [The Carrier can be configured to connect the Pn6 I/O signals (8x High-Speed Serial) to a second x8 port on the PCI Express switch fitted to the carrier board]

Discrete digital IO - 38 way GPIO Connector on carrier

Discrete digital IO - 68 way SCSI Connector on carrier

Environmental Specification

Cooling Option	Operating Temperatures		Storage Temperatures	
	Min	Max	Min	Max
AC0	0°C	+55°C	-40°C	+85°C

Operating Humidity

Up to 95% (non-condensing)

EMC Standards

FCC 47CFR Part 2

Ordering Information

Order Code: ADC-PCIE-XMC3(t)

Option	Code	Description of Options
XMC Connector Type	t	blank = XMC (VITA 42) Connectors , /X2 = XMC2 (VITA 61) Connectors