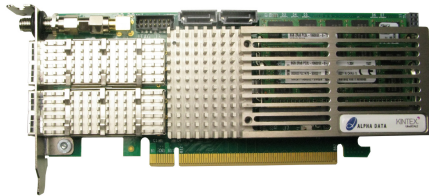


AD01284



Applications

- High-Performance Data Processing
- Data Center
- Network Accelerator
- High Performance Computing (HPC)
- System Modeling
- Market Analysis

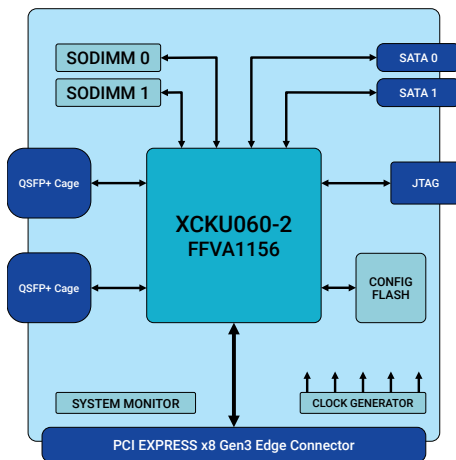
Board Features

- 2x QSFP+ Cages
- 2x 8GB DDR3 ECC-SODIMMs
- 2x SATA Interfaces
- System Monitor
- Heatsink with optional fan

Summary

The ADM-PCIE-KU3 is a high performance reconfigurable Half-Length, low profile x16 PCIe form factor board based on the Xilinx Kintex UltraScale range of Platform FPGAs.

The ADM-PCIE-KU3 features two independent channels of DDR3 memory capable of 1600MT/s (fitted with two 8GB SODIMMs), SATA connections, High Speed I/O via Dual QSFP+ ports supporting up to 40G Ethernet or 4 x 10G Ethernet links, voltage/temperature/current control and monitoring, air-cooled heat sink with removable fan. Please contact Alpha Data Sales for no-fan ordering option.



Target Device

Xilinx Kintex UltraScale
XCKU060-2 (FFVA1156)

LUTs = 221k FFs = 663k DSPs = 2760
BRAM = 38.0Mb

3x PCI Express Gen3 cores

Application Data Memory

2x 1G x 72 (8GiB) DDR3-1600

Configuration Memory

BPI 1GBit Flash Memory
Configured as 4 x 256MBit zones

Configuration Modes

From onboard Flash
Over JTAG

Deliverables

ADM-PCIE-KU3 Board
One Year Warranty
One Year Technical Support
Xilinx Vivado board file

Host Interface

PCI Express Gen3 x8 (also supports 2nd x8 PCIe hard macro or soft x16 cores)

Board Format

1/2 Length low profile x16 PCI Express Card
WxHxD = 174mm x 68.9mm x 32.5mm
Weight = 220g

Communications Interfaces

2x QSFP 4x10Gbps - User Configurable, includes 10/40G Ethernet

Input/Output Interfaces

Other Interfaces

Dual SATA Interfaces (6Gbps)
External Sync (PPS) interface

Environmental Specification

Cooling Option	Operating Temperatures		Storage Temperatures	
	Min	Max	Min	Max

Operating Humidity

Up to 95% (non-condensing)

EMC Standards

FCC 47CFR Part 2
EN55022:2010 Equipment ClassB
EN55024:2010
EN60950-1:2006 (+A12:2011)

Ordering Information

Order Code: ADM-PCIE-KU3(M)(F)

Option	Code	Description of Options
Memory Option	M	blank = 16GB, /32GB = 32GB
Fan Fitted	F	blank = Fan Fitted, /NF = No Fan Fitted