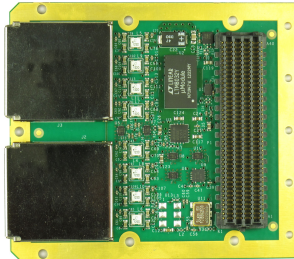


AD01285



Applications

- 40G Ethernet
- High-Speed Communications

Board Features

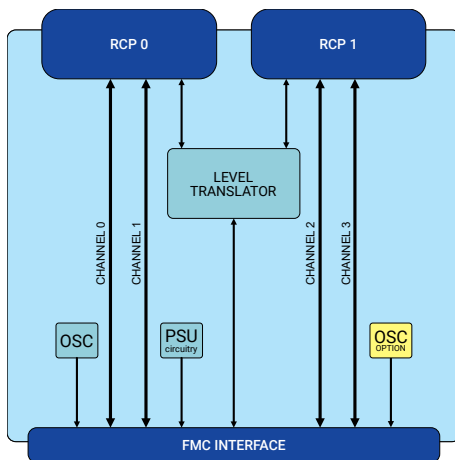
- 1 or 2 ARINC 801 Connectors

Summary

The **FMC-RCP-10G** is an FMC I/O Module with up to four 10Gb/s Optical transceiver channels.

Based on the FMC Standard (VITA 57.1) but with modified profile and increased front IO area to accommodate the optical transceivers.

Suitable for use in harsh environments with LuxCis optical connectors and full speed operation over the industrial temperature range.



Deliverables

FMC-RCP-10G Board
One Year Warranty
One Year Technical Support

Board Format

VITA 57.1 FPGA Mezzanine Card (FMC)

Input/Output Interfaces

High-speed Serial IO

Optical Links - 850nm (2 Tx & 2 x)

Environmental Specification

Cooling Option	Operating Temperatures		Storage Temperatures	
	Min	Max	Min	Max
AC1	-40°C	+70°C	-55°C	+100°C
CC1	-40°C	+70°C	-55°C	+100°C

Operating Humidity

Up to 95% (non-condensing)

EMC Standards

FCC 47CFR Part 2
EN55022:2010 Equipment ClassB

Ordering Information

Order Code: FMC-RCP-10G/I(f0)(c)(a)

Option	Code	Description of Options
Lanes	I	2 = 2 Tx + 2 Rx Lanes (one RCP Module), 4 = 4 Tx + 4 Rx Lanes (two RCP Module)
Referency Frequency	f0	blank = 156.250MHz, /xxx.yyy (specify frequency in MHz)
Cooling	c	blank = air cooled industrial, /CC1 = conduction cooled industrial
Conformal Coating	a	blank = no conformal coating, A = Acrylic, P = Polyurethane