

AD01125

Prime Application

General purpose Serial and Parallel I/O Interface

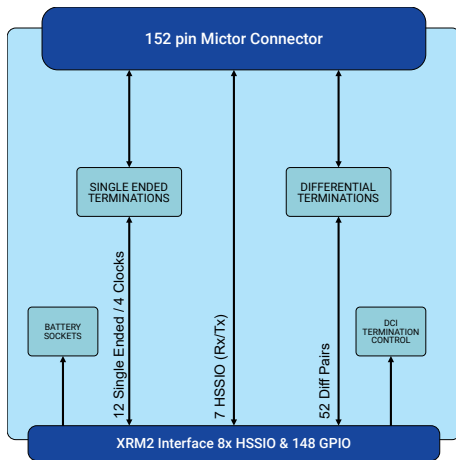
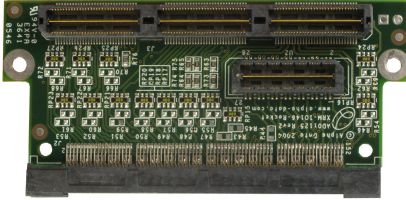
Board Features

- 7 High-speed Serial I/O
- 116 Digital I/O

Summary

The **XRM2-IO146-ROCKET** is an XRM2 I/O Module which provides seven High Speed Serial I/O and up to 116 LVDS/LVTTL I/O via a Mictor 152pin connector.

The XRM2-IO146-ROCKET also provides battery support to provide a back-up supply for encryption key storage on the connected FPGA board.



Deliverables

XRM2-IO146-ROCKET Board
One Year Warranty
One Year Technical Support

Board Format

Alpha Data XRM2 I/O Module

Input/Output Interfaces

High-speed serial I/O

High-speed Serial I/O (TxP/TxN - RxP/RxN)

Digital I/O

Differential Pair I/O

Single Ended I/O

Single Ended Clock I/O

Environmental Specification

Cooling Option	Operating Temperatures		Storage Temperatures	
	Min	Max	Min	Max
AC0	0°C	+55°C	-40°C	+85°C

Operating Humidity

Up to 95% (non-condensing)

EMC Standards

FCC 47CFR Part 2

EN55022:2010 Equipment ClassB

Ordering Information

Order Code: RM2-IO146-ROCKET(LOCK)

Option	Code	Description of Options
Cable Locking Mechanism	LOCK	blank=No cable locking mechanism, -LOCK=Cable locking mechanism fitted